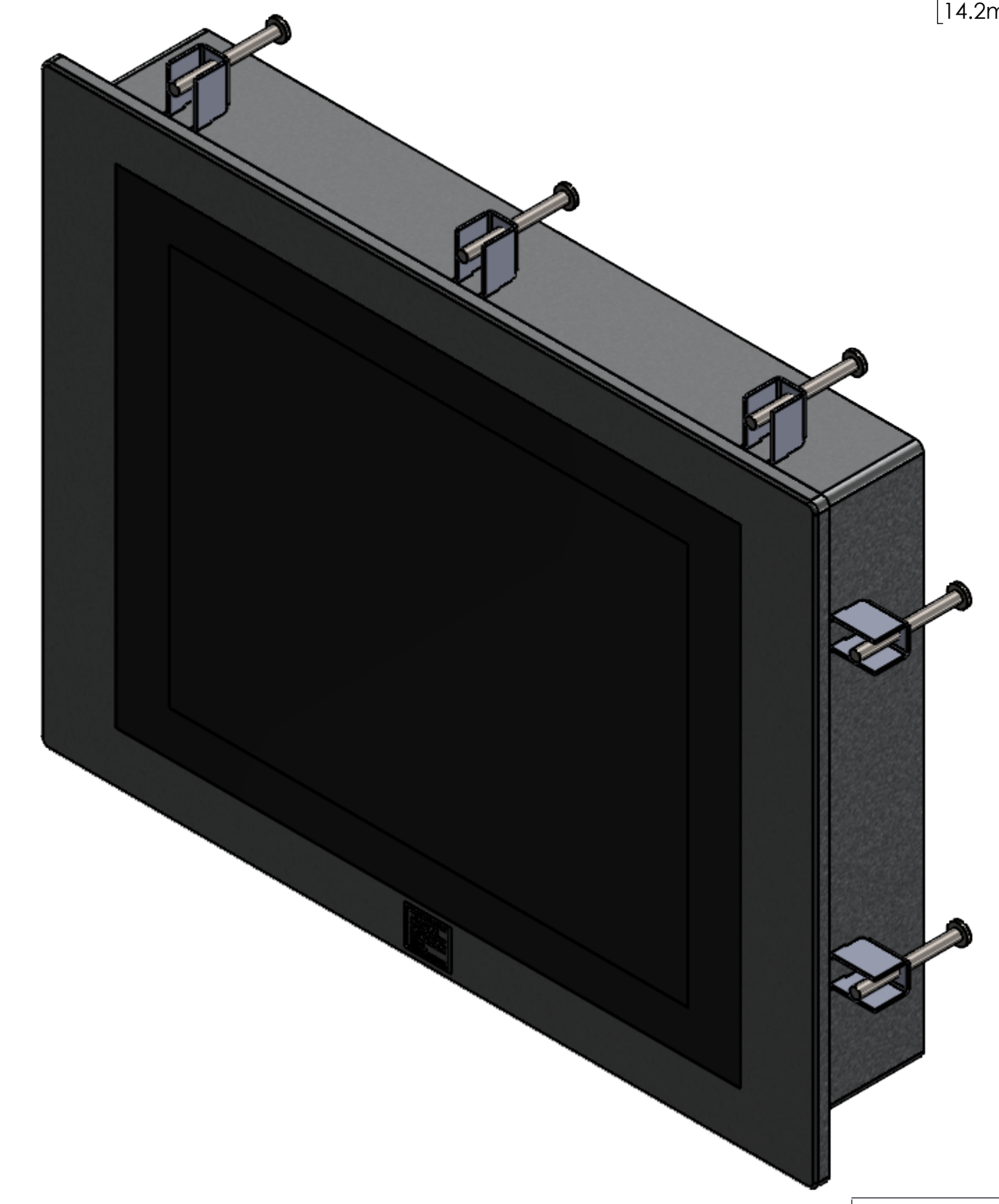
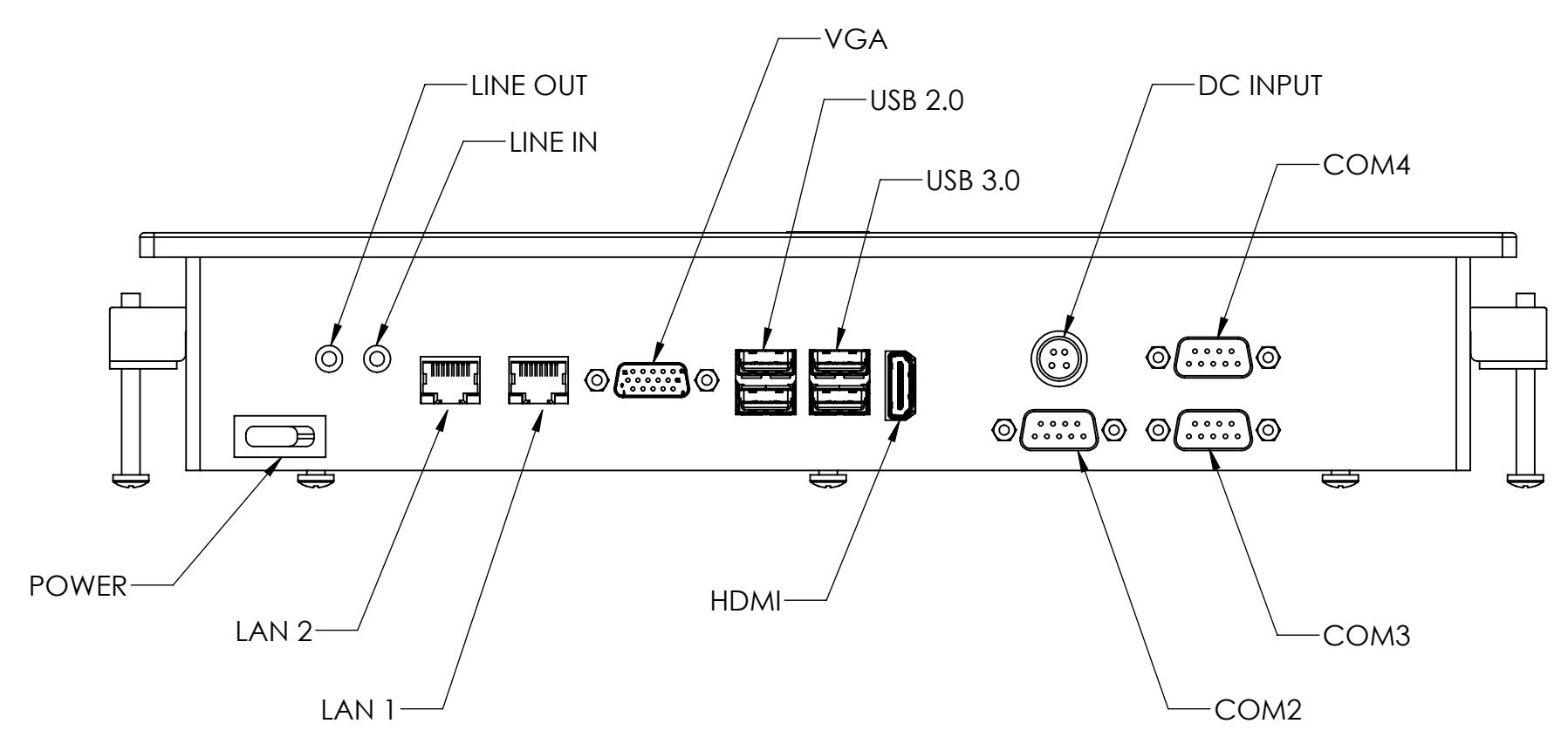
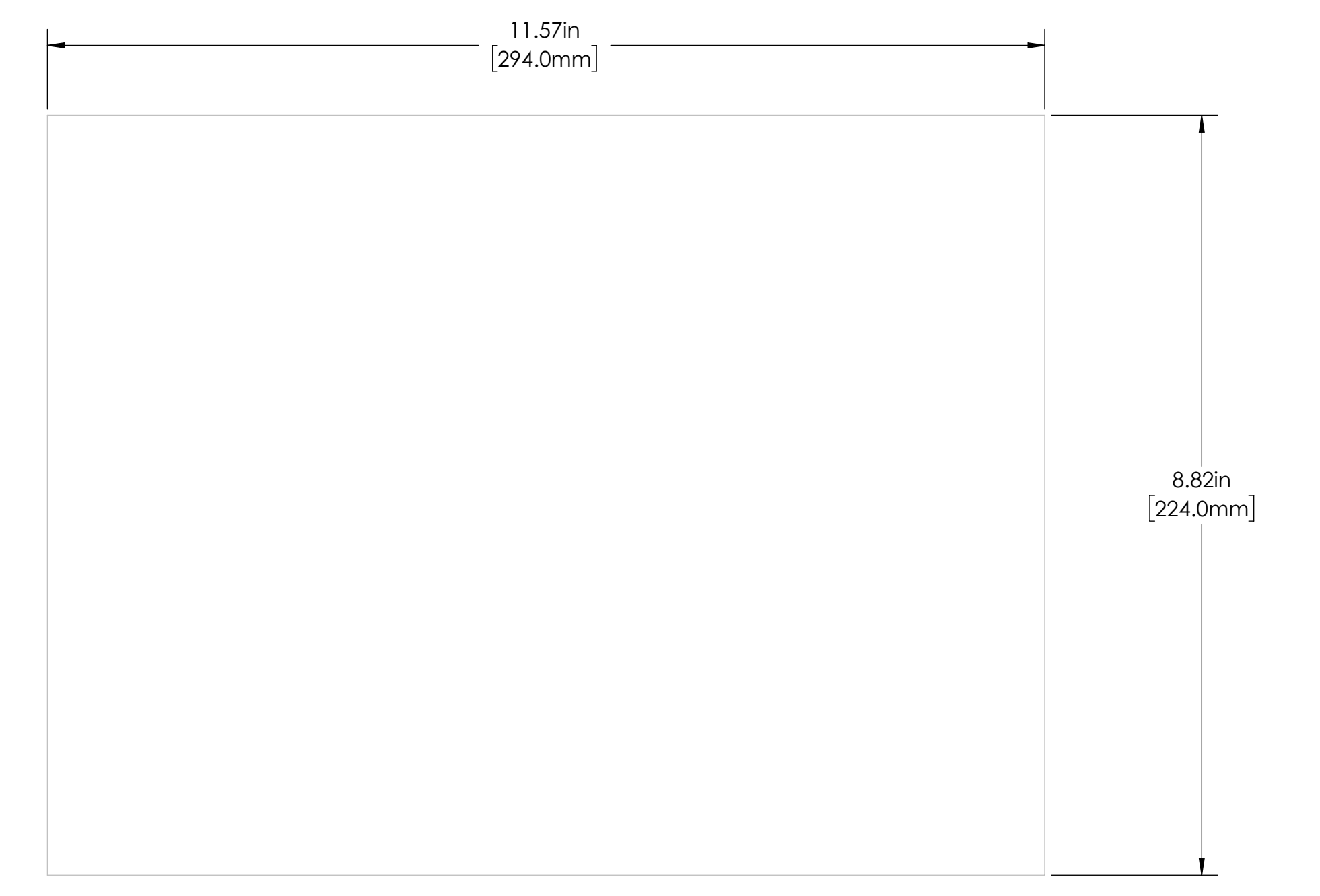
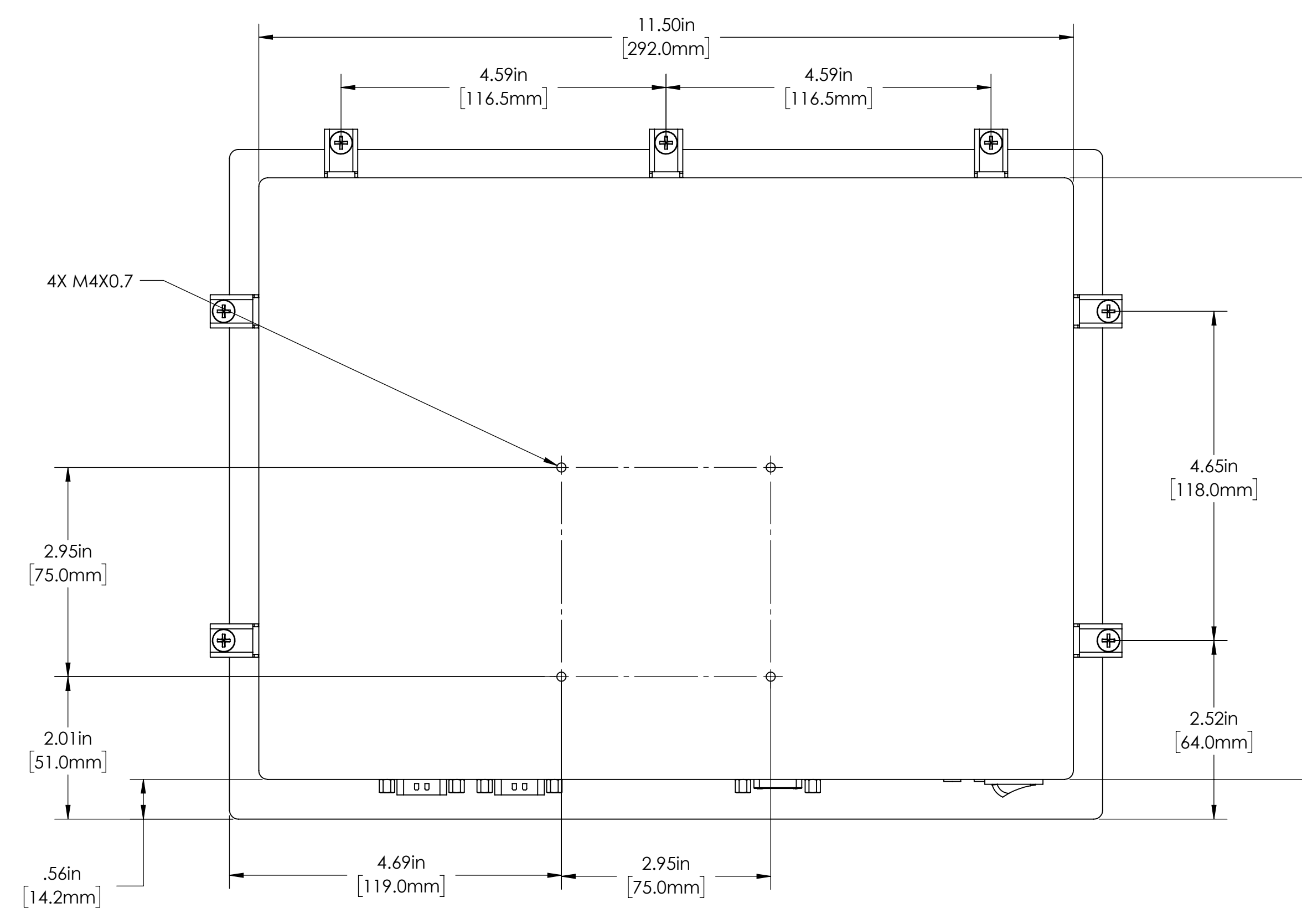
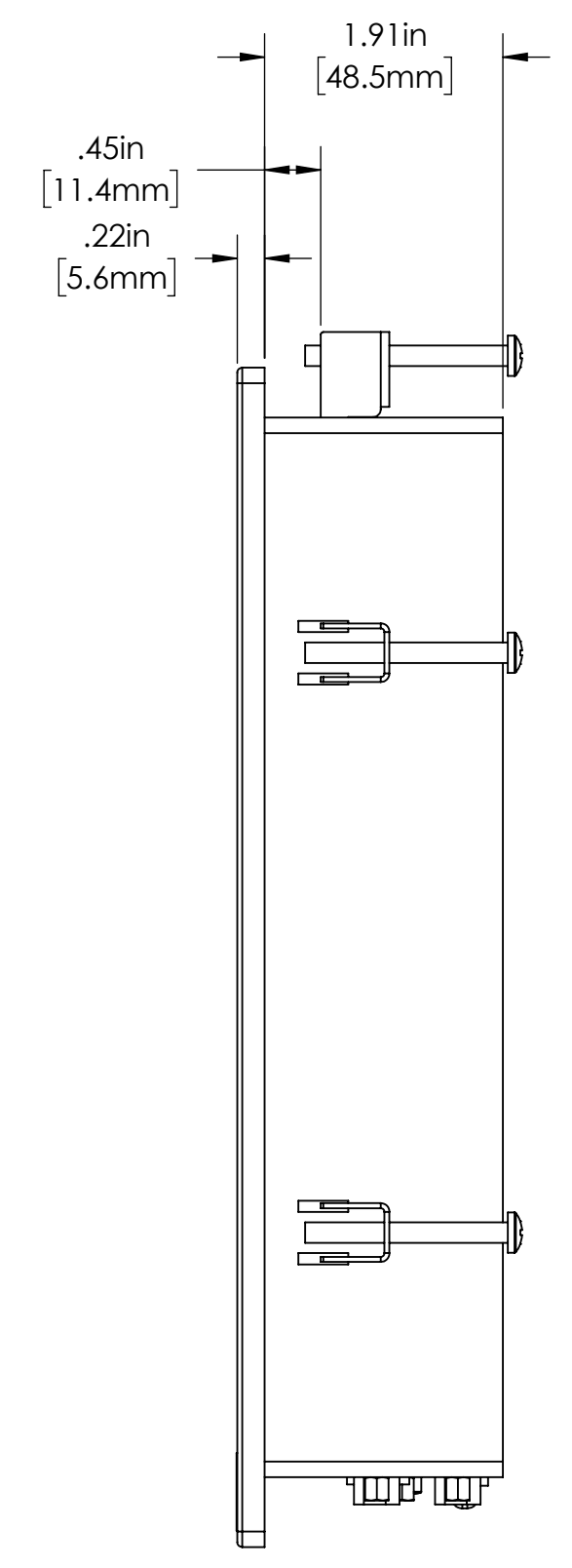
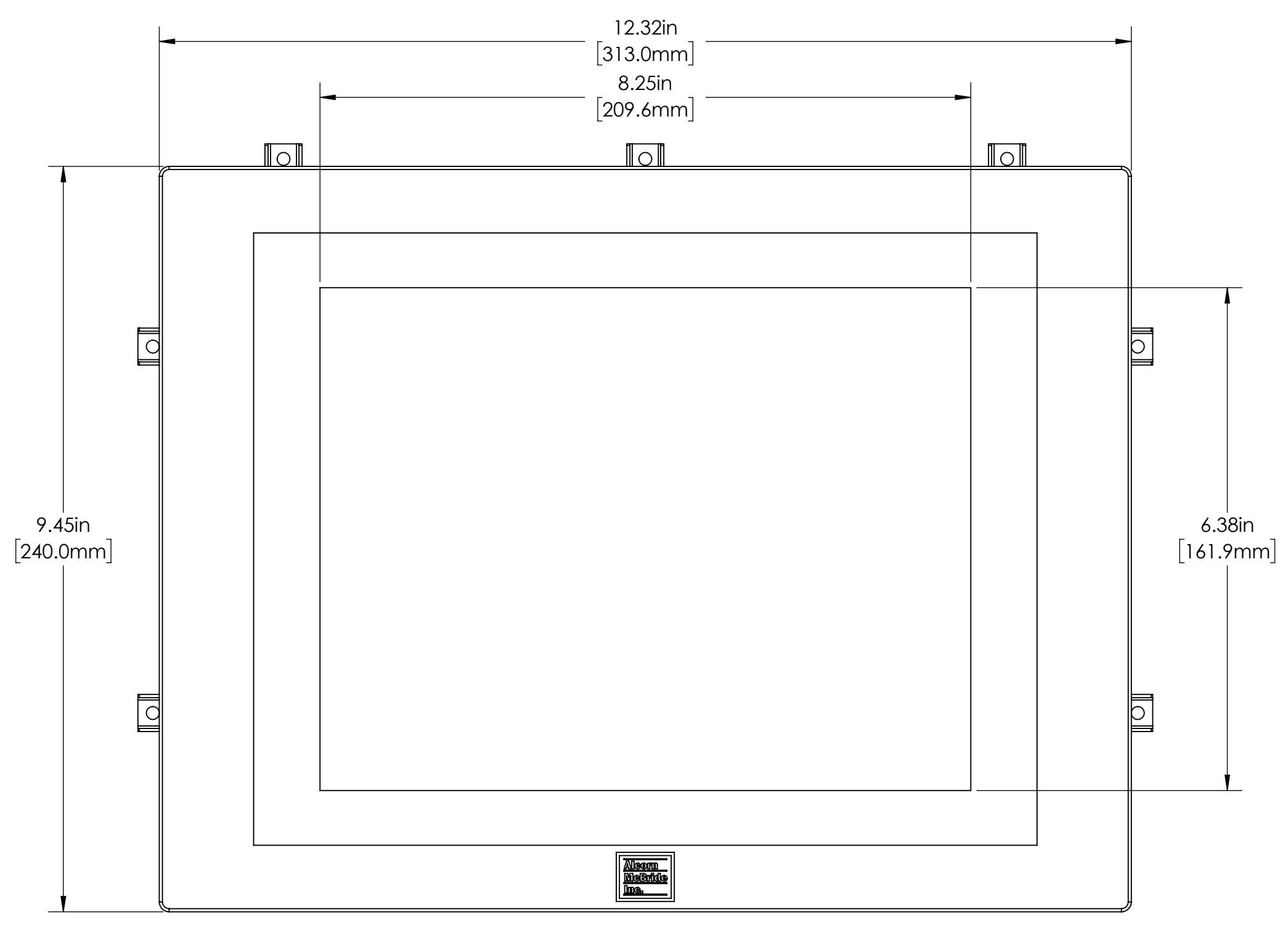


REVISIONS					
ZONE	REV.	DESCRIPTION	BY	APPR	DATE



SCALE	NONE	SHEET SIZE	D	DATE	9/26/2022	PROJECT	ALCORN McBRIDE Inc.	
DRAWN BY	MAZ	CHECKED BY				DWG. TITLE	SHOW TOUCH 10	
APPROVED		APPROVED				DWG. NO.	230-104029.50	
APPROVED		APPROVED				SHEET 1 OF 1	REV.	

**NOTICE**  
The data in this document incorporate proprietary rights of Alcorn McBride Inc. 6488 Binktop Drive Orlando FL 32835. Any party accepting this document does so in confidence and agrees that it shall not be duplicated in whole or in part, nor disclosed to others, without the written consent of said party.

DWG. NO. 230-104029.50

REV.

A