

6

5

4

3

2

1

E

E

D

D

C

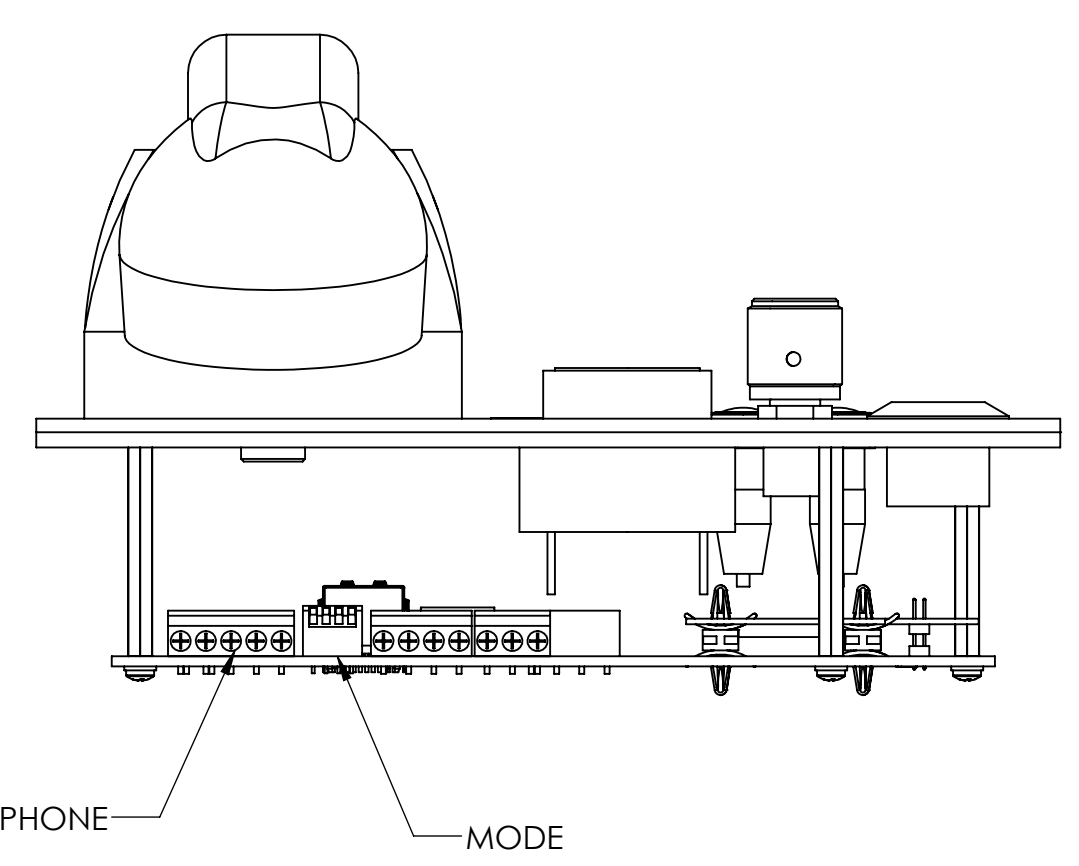
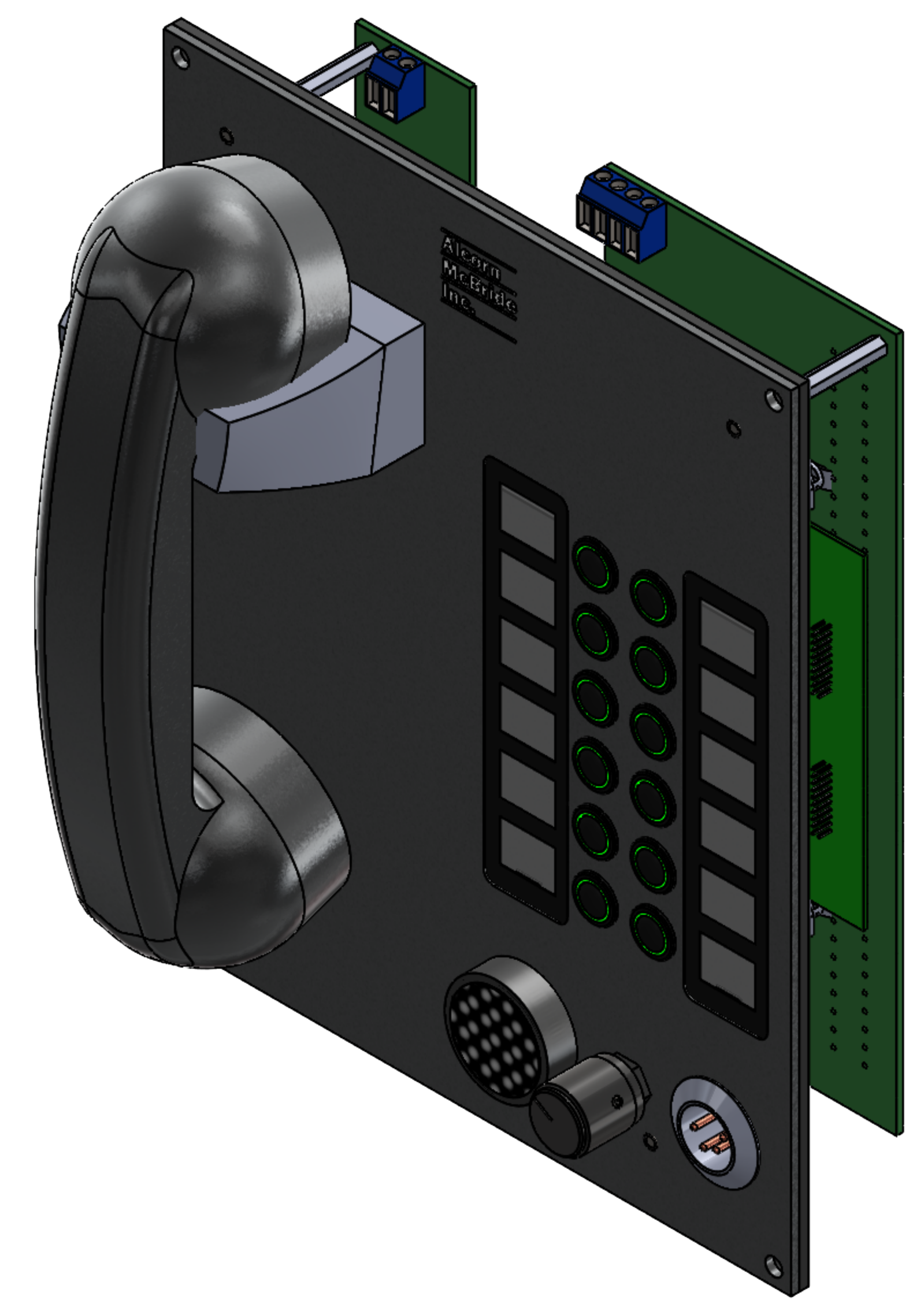
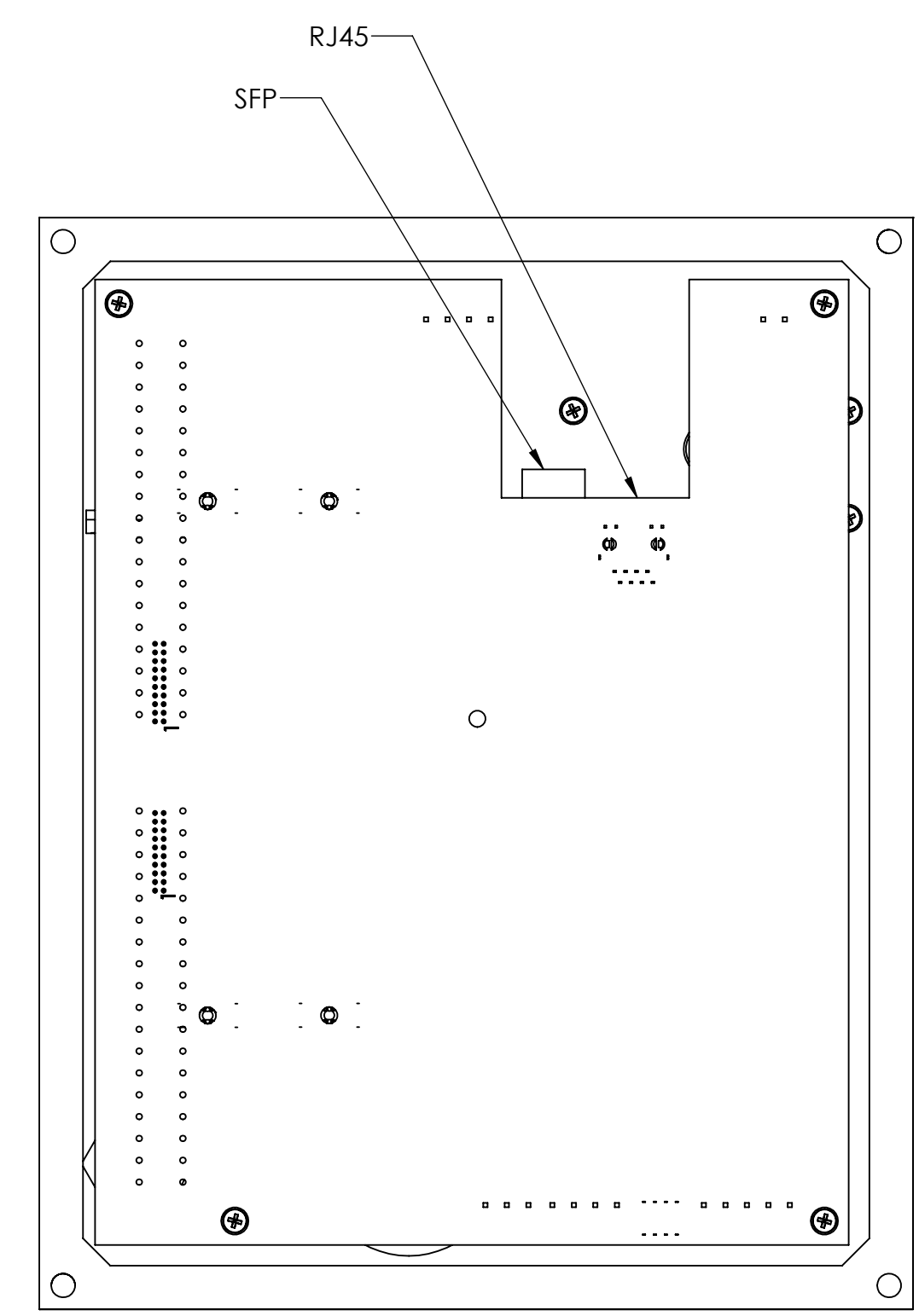
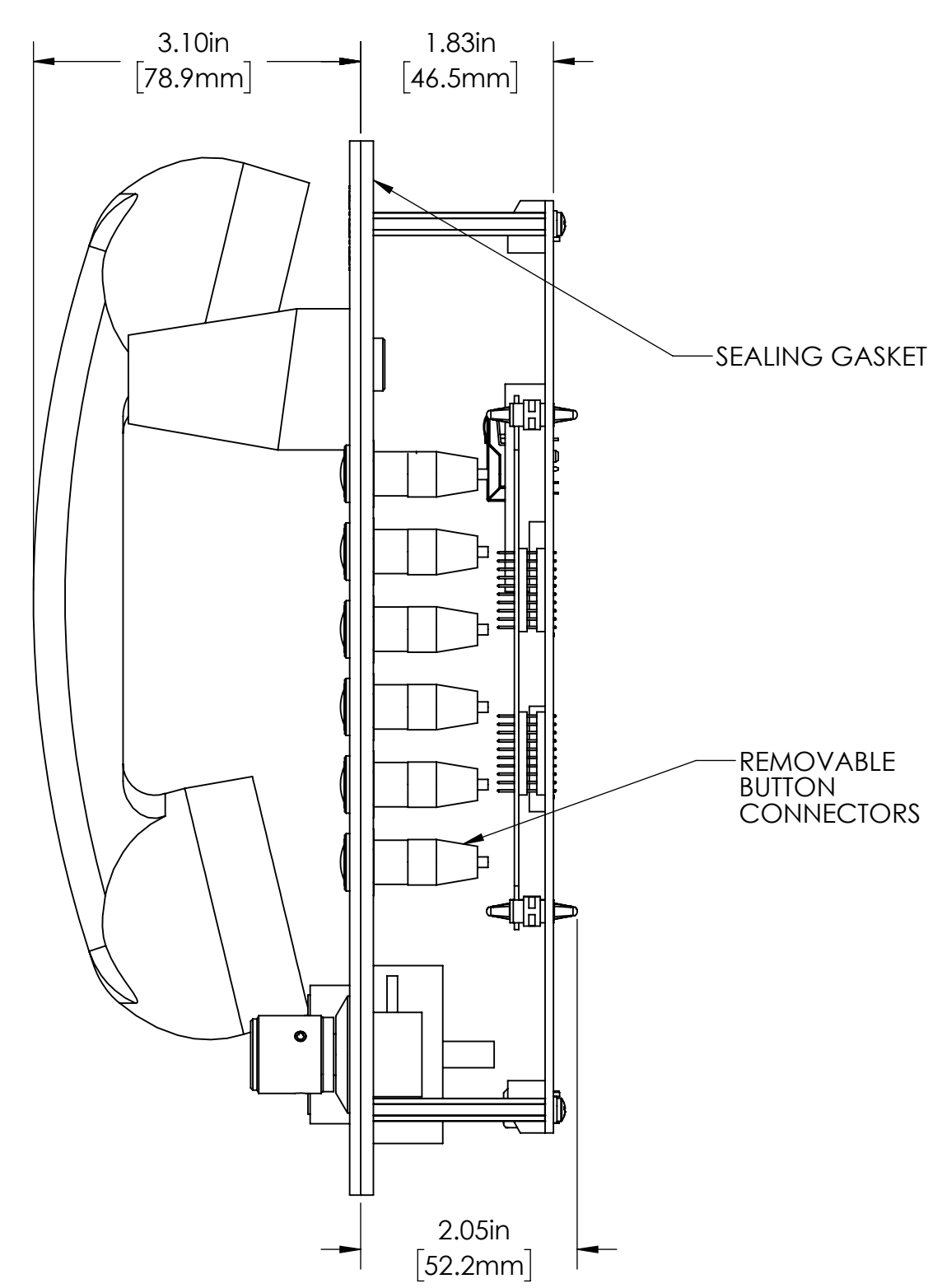
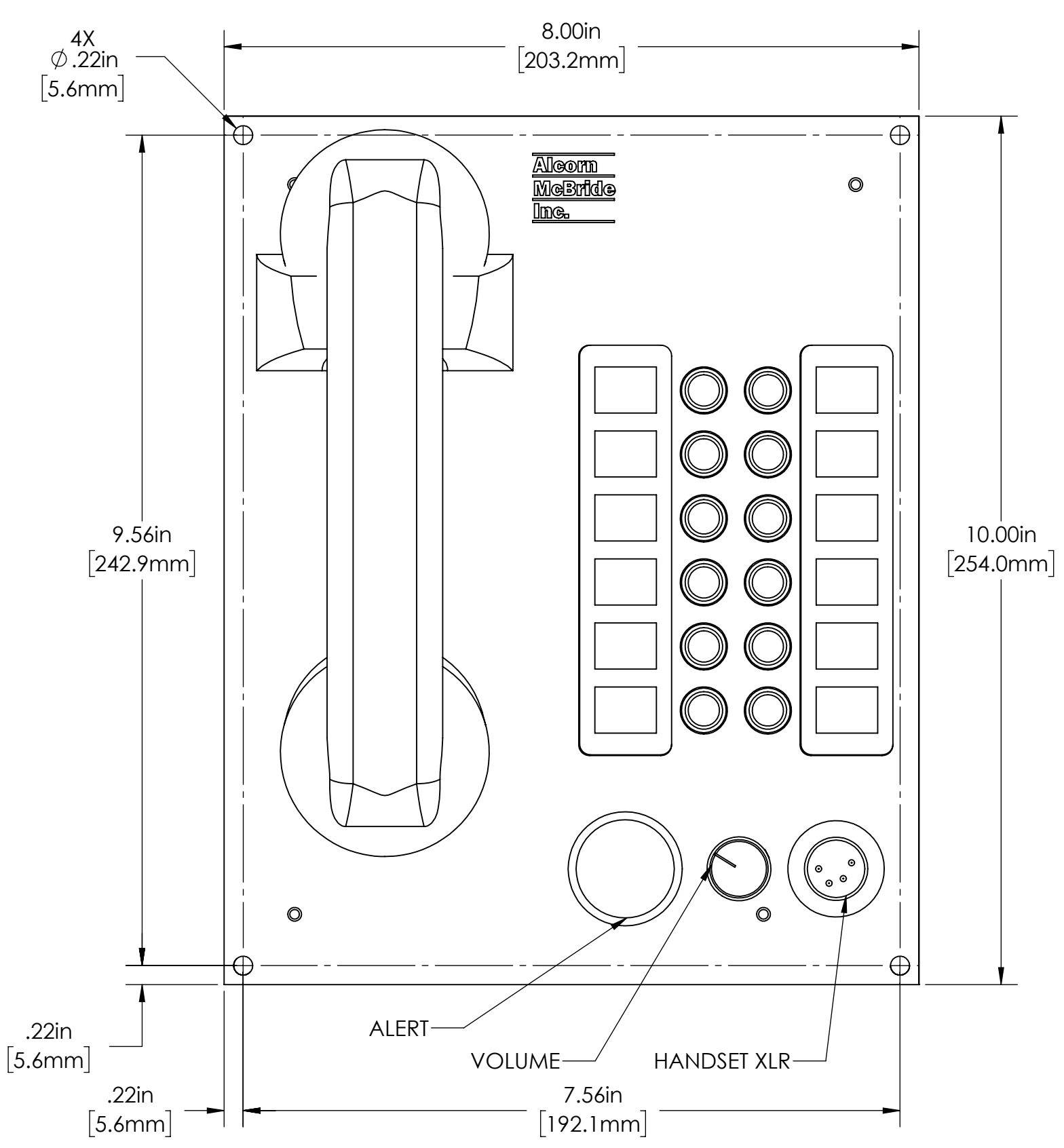
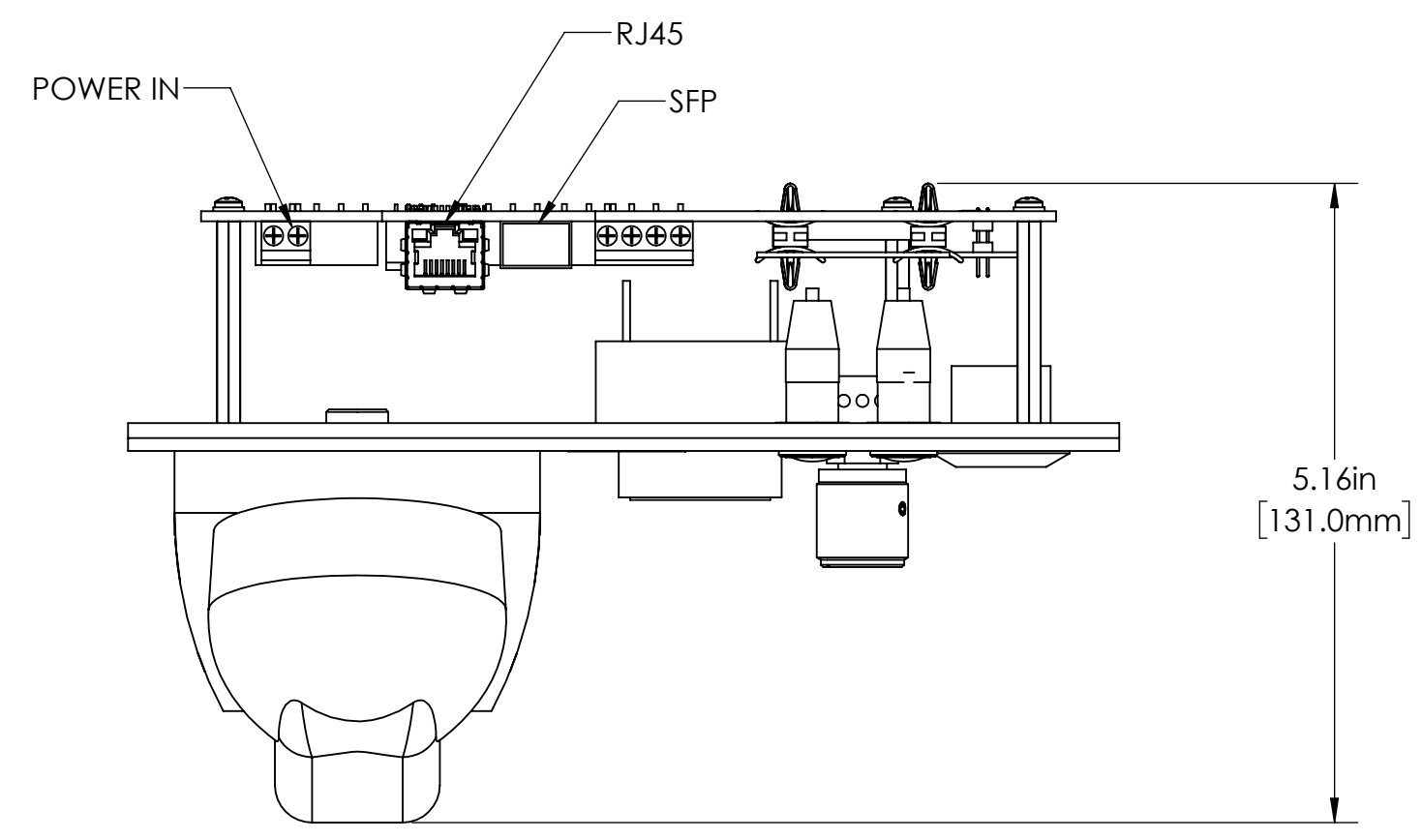
C

B

B

A

A



SCALE		NONE		SHEET	D	DATE	PROJECT		ALCORN McBRIDE Inc.		
DRAWN BY		MAZ		7/12/2024	DWG. TITLE		Chassis Assembly, VCOM VC12X, 12 Zone Intercom Station		DWG. NO. VC12X Dimensional		
CHECKED BY		APPROVED		APPROVED		APPROVED		APPROVED		SHEET 1 OF 1	
APPLICATION		FINAL ASSY.		APPROVED		APPROVED		APPROVED		REV.	
MATERIAL		FINISH		NOTICE		The data in this document incorporate proprietary rights of Alcorn McBride Inc. 6488 Binktop Drive Orlando FL 32835. Any party accepting this document does so in confidence and agrees that it shall not be duplicated in whole or in part, nor disclosed to others, without the written consent of said party.					
⊙	CONCENTRICITY	UNLESS OTHERWISE SPECIFIED	.XX .XXX	ANGLES	±1°						
≡	SYMMETRY		±.01 ±.005								
▢	FLATNESS	REMOVE BURRS AND BREAK SHARP EDGES									
⊥	PERPENDICULARITY	MACHINED FILLET RADII .015-.030									
//	PARALLELISM	ALL DIMENSIONS ARE IN INCHES									

6

5

4

3

2

1

DWG NO. VC12X Dimensional

REV.